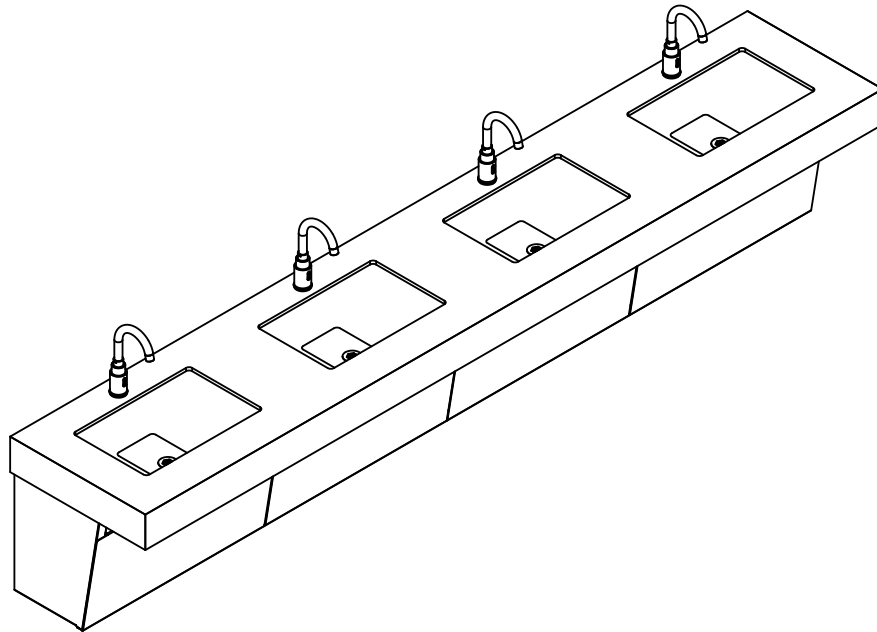


# DSCT-84000, Counter Top Lavatory w/Enclosure

Four Station Corian®



## Important



Read this entire installation manual to ensure proper installation. When finished with the installation, file this manual with the owner or maintenance department. Compliance and conformity to local codes and ordinances is the responsibility of the installers.



Separate parts from packaging and make sure all parts are accounted for before discarding any packaging material. If any parts are missing, do not begin installation until all parts are obtained.



Make sure that all water supply lines have been flushed and completely turned off before starting the installation. Debris in supply lines can cause valves to malfunction.



Turn off electrical power to the electrical outlets, then unplug units prior to installation. Electrical power **MUST** remain off until installation is complete.



Installers hardware must be appropriate for wall construction. Wall anchors and mounting fasteners **MUST** have a minimum pull-out rating of 1,000 lbs.



For standard height mounting, **DO NOT** exceed the recommended 34 inch distance from the top of the lav deck to the finished floor. To meet ADA requirements the lav deck cannot not exceed the 34 inch maximum height dimension.



Wear all proper safety equipment prior to installation

## Tools and Supplies Required for Installation

- Electric drill for drilling anchor holes.
- Standard sockets, basin wrench, and open end wrench set for installing anchoring fasteners and faucets.
- Pipe wrench for installing drain lines.
- Phillips and straight blade screwdrivers.
- Tubing cutter
- Level
- Carpenter's square
- Caulk gun
- 1/2" NPT hot/cold or tempered supply piping
- 1 1/2" NPT drain piping including p-trap
- Adhesive: Loctite® PL Premium® FAST GRAB Polyurethane Construction Adhesive
- 110 volt GFCI protected electrical outlet for 100-120 VAC plug-in transformer
- Screen filter(s) included with faucet(s)
- Backing supplied by others to meet local codes

## Prior to Installation

### CAUTION:

- ADEQUATE STRUCTURAL SUPPORT IN OR BEHIND THE WALL IS REQUIRED. REFER TO THE APPROPRIATE ROUGH-IN DIAGRAM FOR DRY WEIGHT OF SINK.
- ALL ELECTRICAL WIRING IS TO BE INSTALLED IN ACCORDANCE WITH NATIONAL/LOCAL CODES AND REGULATIONS. ELECTRICAL OUTLETS SHOULD BE RECESSED AND INSTALLED PRIOR TO INSTALLATION.
- ALL PLUMBING SHOULD BE INSTALLED IN ACCORDANCE WITH APPLICABLE CODES AND REGULATIONS.
- BEFORE CONNECTING FLEX HOSES TO SUPPLY STOPS, FLUSH ALL WATER LINES UNTIL WATER IS CLEAR.
- HOT AND COLD WATER SUPPLY LINES/TEMPERED SUPPLY LINE AND DRAIN LINES. RECOMMENDED TO HAVE CONTROL STOPS ON WATER SUPPLY LINES IN PLACE PRIOR TO INSTALLATION.

**Sink Location**

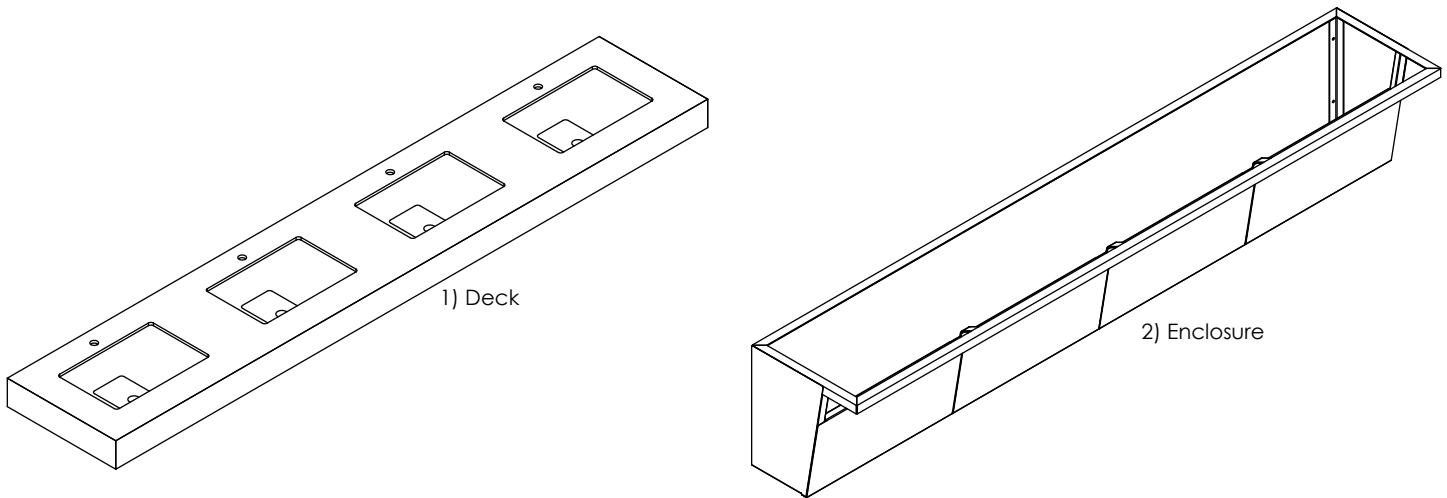
Determine the appropriate wall location for the Lavatory System. Refer to original spec sheets for correct placement of electrical and plumbing locations. If wall is not load bearing, a carrier may be required behind the wall. Refer to the appropriate Rough-In diagram Figure 1 for Lavatory System dimensions. Prior to Lavatory System installation, electric wiring, water supply and drain must be installed.

**Limited Warranty**

Unless otherwise noted, Sloan Valve Company warrants its Products to be made of first class materials, free from defects of material or workmanship under normal use and to perform the service for which they are intended in a thoroughly reliable and efficient manner when properly installed and serviced, for a period of Four years (1 year for SF Faucets, special finishes and PWT electronics and 30 days on PWT software) from date of purchase. During this period, Sloan Valve Company will, at its option, repair or replace any part or parts which prove to be thus defective if returned to Sloan Valve Company, at customer's cost, and this shall be the sole remedy available under this warranty. No claims will be allowed for labor, transportation or other incidental costs. This warranty extends only to persons or organizations who purchase Sloan Valve Company's products directly from Sloan Valve Company for purpose of resale. This warranty does not cover the life of the batteries.

**THERE ARE NO WARRANTIES WHICH EXTEND BEYOND THE DESCRIPTION ON THE FACE HEREOF. IN NO EVENT IS SLOAN VALVE COMPANY RESPONSIBLE FOR ANY CONSEQUENTIAL DAMAGES OF ANY MEASURE WHATSOEVER.**

**Designer Series, Counter Top, Four Station Components**



Description	Item Number	Quantity
Designer Series DSCT-84000 Counter Top	1	1
Angled Enclosure with Hook and Hang Access Panel	2	1

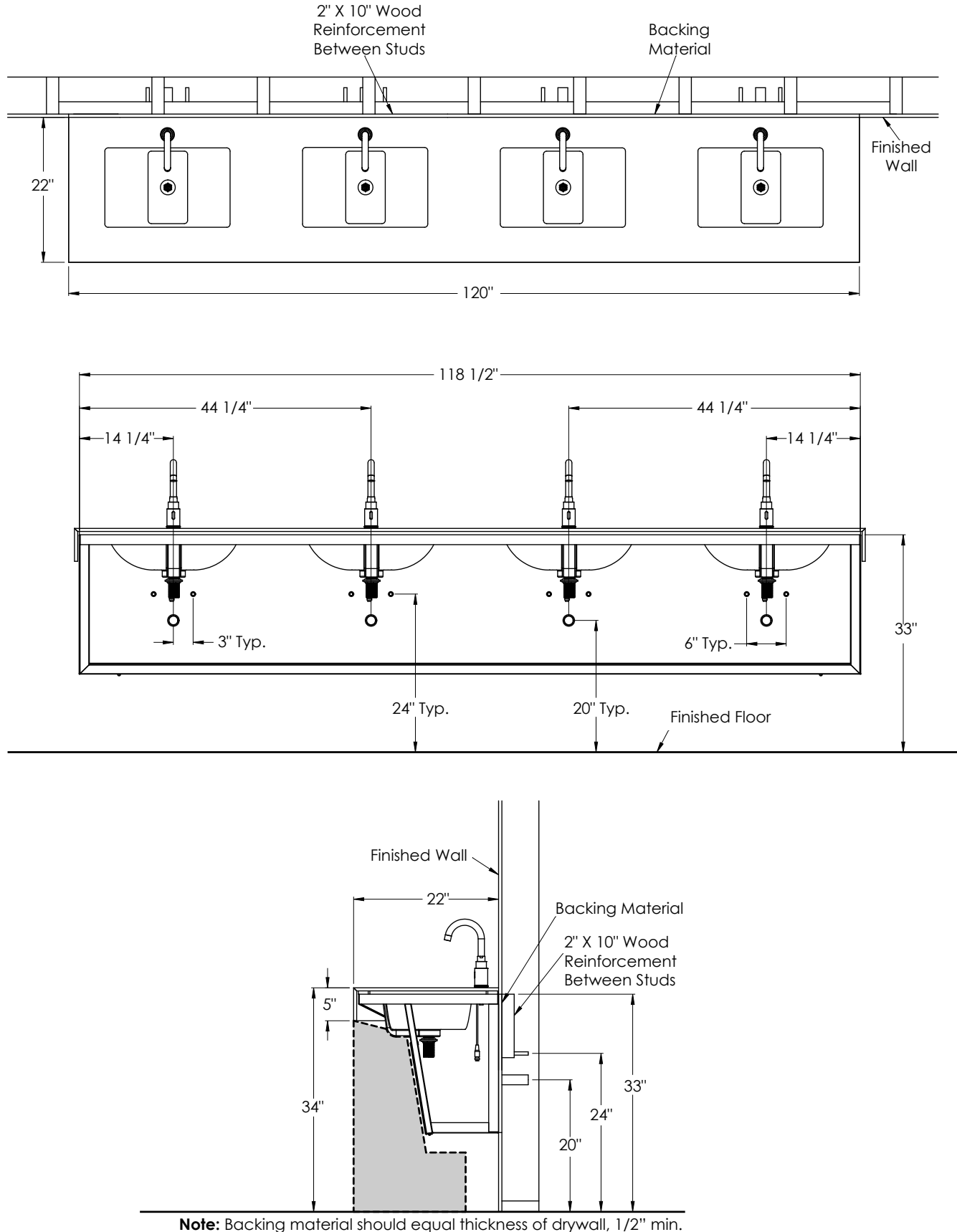
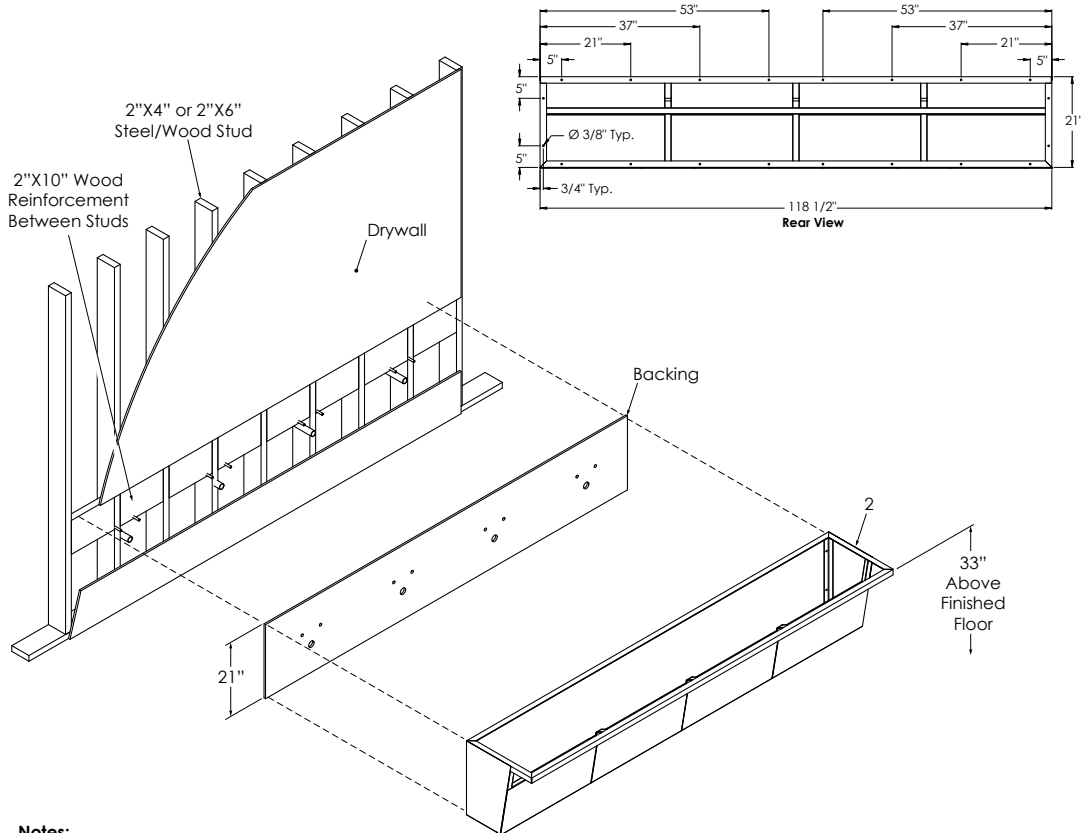


Figure 1

## Backing and Enclosure Installation



**Notes:**

1. Due to manufacturer tolerances, all dimensions are for reference only.
2. Enclosure must be shimmed to wall to ensure proper leveling and straightness.

Figure 2

1. Install Backing (Figure 2) onto wall studs.

**Note:** Backing supplied by others to meet local codes.

- a. Measure the height and width Enclosure (2), cut backing to Enclosure (2) dimensions.
- b. If drywall is present, cut out drywall the size of the Backing.
- c. Pre drill/cut holes for plumbing and electrical into Backing.
- d. Install Backing onto exposed studs to meet local codes.

2. Install Enclosure (2, Figure 2) onto Backing. Ensure that the Enclosure (2) is level and the proper distance from the floor.

**Note:** Anchor Bracket Supports to wall using 1,000 lb pull out, mounting fasteners (not supplied).

- a. Using mounting fasteners anchor Enclosure (2) onto backing, making sure that the top of the Enclosure (2) is 33 inches above finished floor. (ADA specification)

## Faucet and Grid Strainer Installation

**Notes:**

For ease of counter top installation, leave the Counter Top lying on its back. Install faucet according to manufacturer's instruction

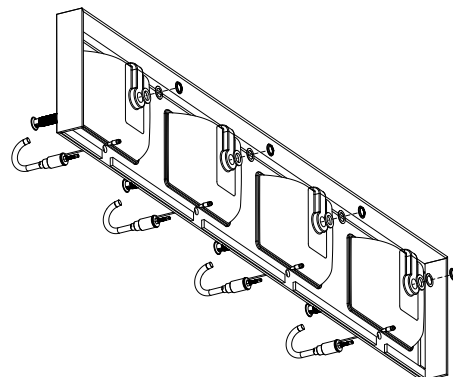


Figure 3

3. Install faucet and grid strainer (Figure 3) onto sink according to manufacturer's instructions.

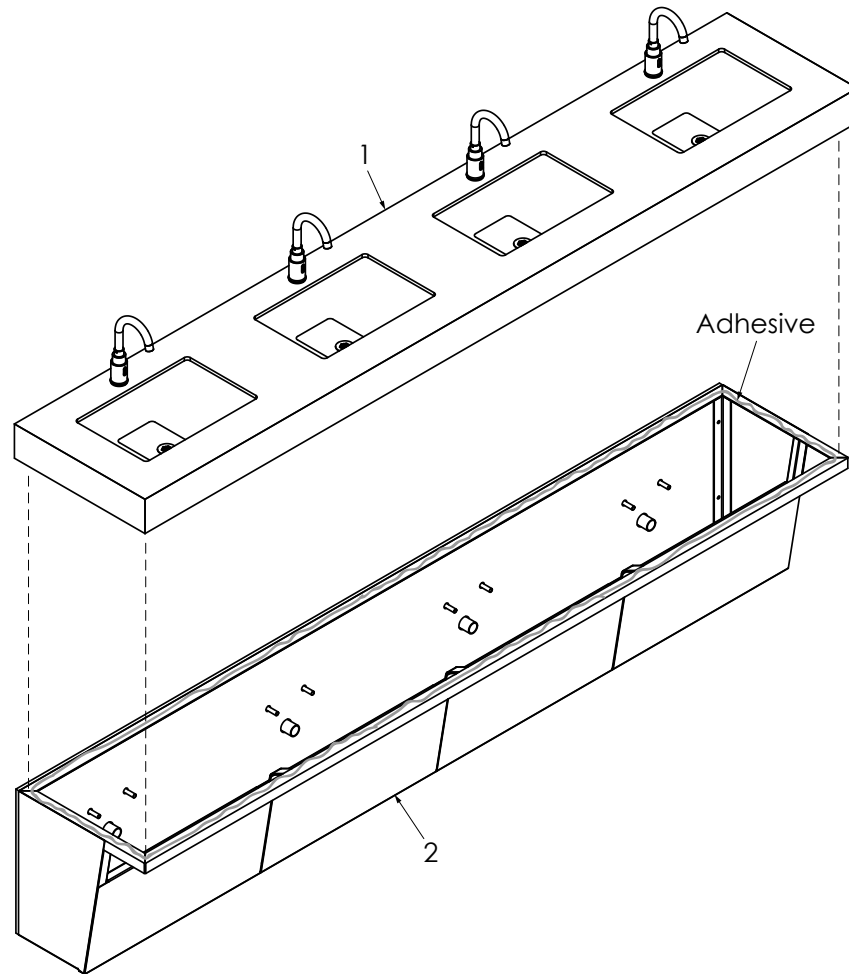


Figure 4

4. Install Counter Top (1, Figure 4) onto Enclosure (2).
  - a. Apply adhesive (not supplied) to the top of the Enclosure (2).
  - b. Lower Counter Top (1) onto Enclosure (2). Shim all gaps between Enclosure (2) and Counter Top (1).
  - c. Connect remaining plumbing and electrical per manufacturer instructions.  
**Note:** Back and side of Counter Top may require scribing to finished wall.
  - d. Apply adhesive (supplied by others) to the bottom and back of Back Splash (3).
  - e. Position Back Splash (3) to the Back of Counter Top (1) and firmly press against Counter Top (1) and wall.

---

### End of Installation Instructions

